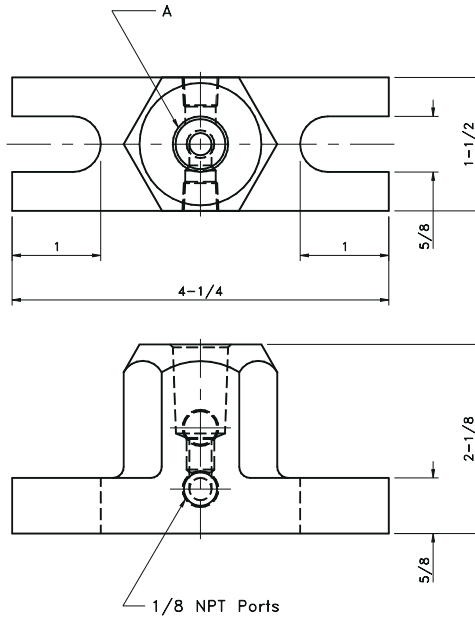


PLATEN ADAPTERS

Tipaloy platen adapters make it possible to use press type welders for a wider range of applications, including stud and nut welding, single spot welding, and special fixture components. Both sizes match RWMA T-slot spacing.

T-8000 SERIES

Use T-8000 series for
3-1/2" centerline

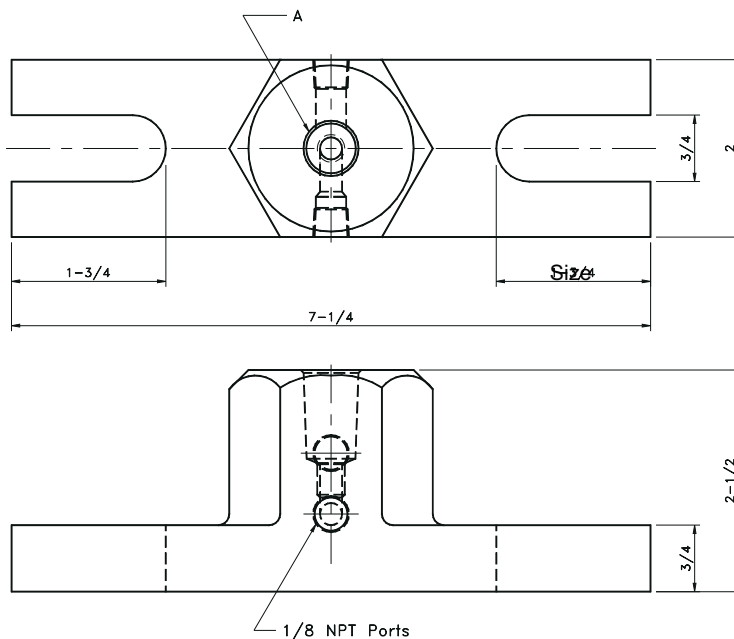


Part Number
T-8001
T-8002
T-8003
T-8004
T-8005
T-8006
T-8007
T-8008
T-8009
T-8010
T-8012
T-8013
T-8014

Taper or Thread Size A
4 RW (#1 MT)
5 RW (#2 MT)
6 RW -
7 RW (#3 MT)
SPECIAL 7RW
1/2" NPT
5/8" NPT
3/4" NPT
7/8-14 NPT
1-14 NPT
7/8-9 NC
5/8-11 NC
3/4-10 NC

T-8100 SERIES

Use T-8100 series for
5" - 6" centerline



Part Number
T-8102
T-8103
T-8104
T-8105
T-8106
T-8107
T-8108
T-8109
T-8110
T-8111
T-8112
T-8113
T-8114

Taper or Thread A
5 RW (#2 MT)
6 RW -
7 RW (#3 MT)
SPECIAL 7RW
1/2" NPT
5/8" NPT
3/4" NPT
7/8-14 NPT
1-14 NPT
T-230SERIES
7/8-9 NC
5/8-11 NC
3/4-10 NC

PLATEN ADAPTERS